



Vrack Fixed Wings Set

[Instruction Manual](#)

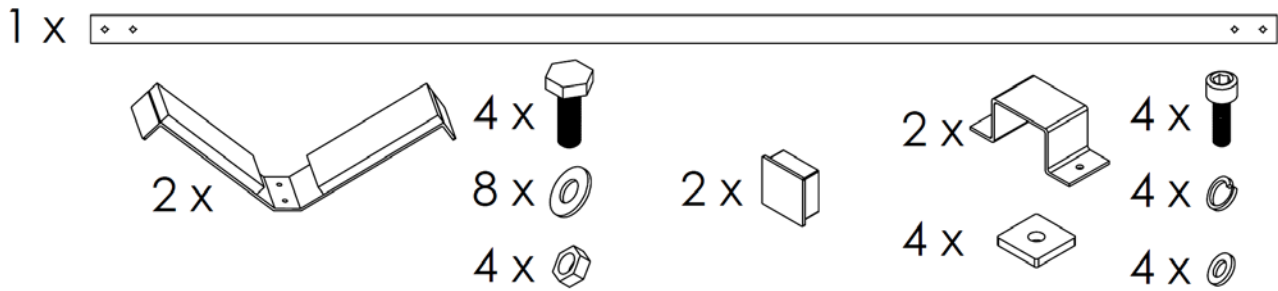
Thank you for purchasing the Vrack Fixed Wings Set.

The Vrack allows you to carry fibreglass kayaks, surf skis and other similar boats on the roof rack of your vehicle. Each Vrack can carry up to a maximum of 18kg and can support boats up to 6.5m in length.

The large foam pads on each wing make it super easy to slide your boat on or off the Vrack, reducing strain and effort after being out on the water.

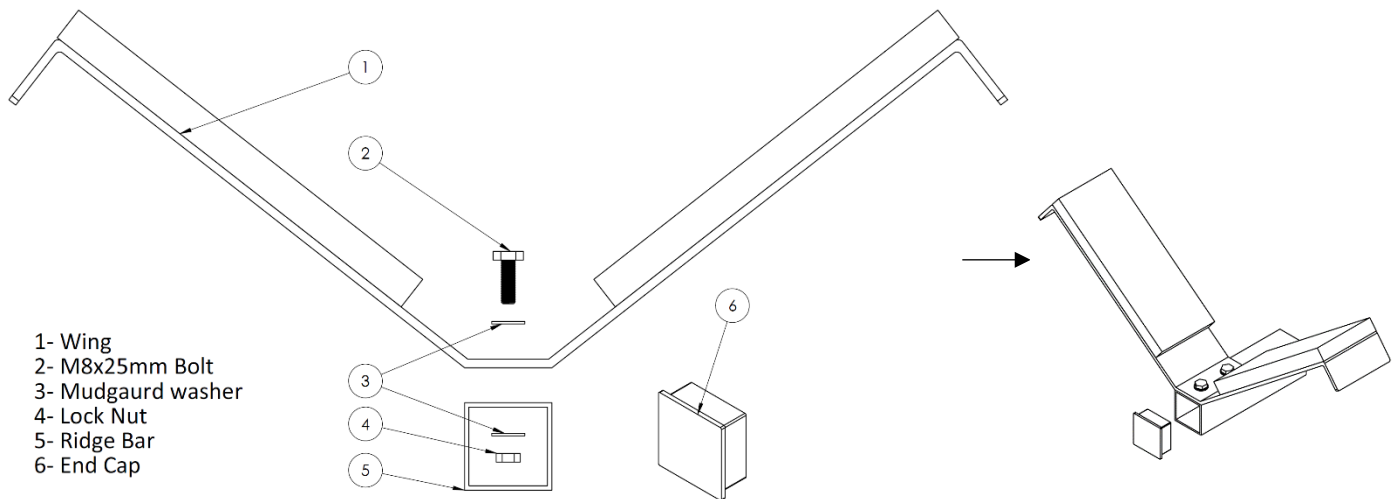
Drive with confidence as Vrack has been specially designed to flex in the wind which protects your boat from some of the wind load during transport. Vrack also extends the tie-down distance beyond typical roof rack anchor points to create a superior secure connection across the length of your ski or kayak.

Components provided:



Assembly of Vrack Fixed Wings Set:

Fix the wings to each end of the ridge bar using the supplied fixings, as shown below:

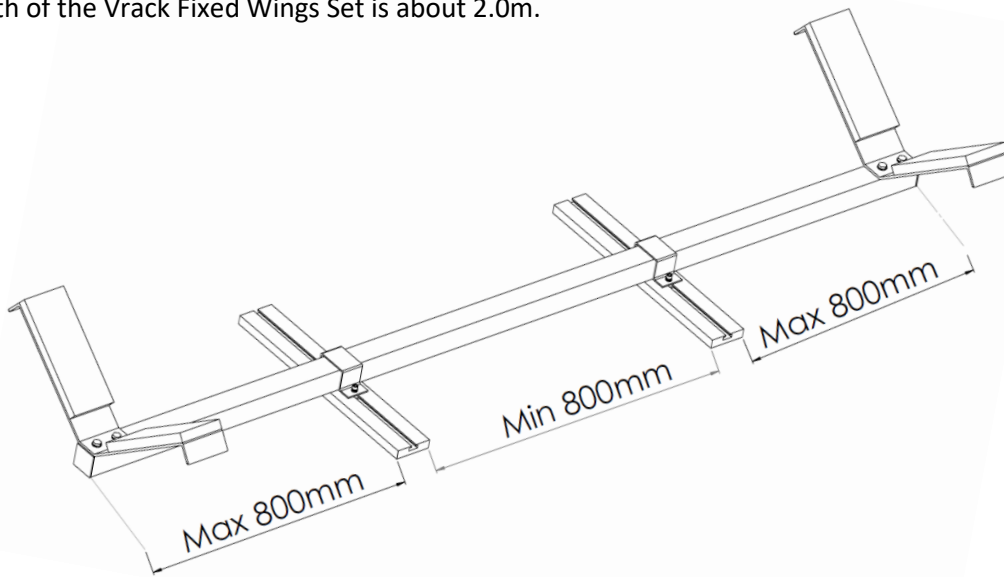


Once you successfully fit the wings to each end of the ridge bar, you can then apply the ends caps to the outside ends of the ridge bar.

Positioning Vrack on vehicle roof rack system:

When positioning the Vrack onto your vehicle roof rack system it is important to have a minimum of 800mm spacing between the vehicle roof rack load bars, and a maximum of up to 800mm overhang at each end.

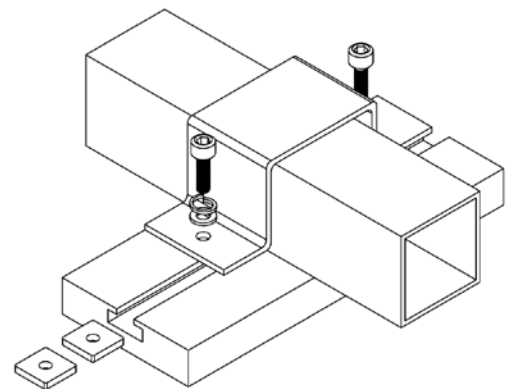
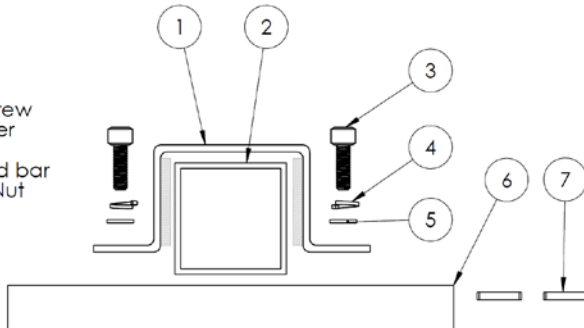
The total length of the Vrack Fixed Wings Set is about 2.0m.



Fitting Vrack to vehicle roof rack:

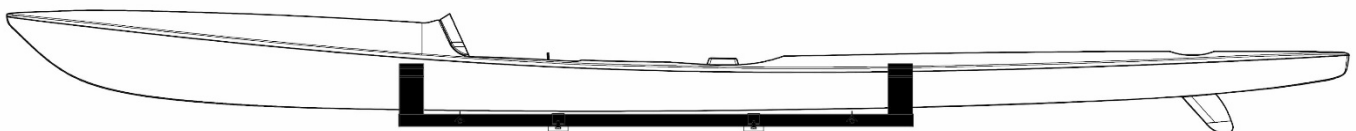
Use the fixings as shown below to fix the Vrack ridge bar to the vehicle roof rack load bars. Please note that our supplied fixings may not suit every type of vehicle roof rack system and therefore you may need to use some third-party fixings in addition to the supplied fixings.

- 1- Bracket
- 2- Ridge bar
- 3- M6 Socket Screw
- 4- M6 Split washer
- 5- M6 Washer
- 6- Roof rack load bar
- 7- M6 Channel Nut



Positioning of boat on Vrack:

When mounting the boat onto the Vrack it is important to position the centre of the boat equally between the two Vrack wings.



Safe and secure

It is always the customer's responsibility to ensure that the boat and the Vrack are safely secured before driving. Our products, fixings and accessories may not suit every boat, vehicle or roof rack system and therefore you may need to use some third-party tie down straps or other fixings.

1 – **Centre tie down strap:** A suitable tie down strap should always be used to secure the boat to the vehicle roof rack system; preferably as close to the centre of the boat as possible.

2 – **Tie down straps at each wing:** Tie down straps must also be used to secure the boat to each of the Vrack Wings. Best practice is to always use load bearing tie downs; however on short trips and when driving at speeds below 60kmh you may optionally use the two included bungee straps at these points instead.

3 – **Front securing tie down strap:** At high speeds or in high wind zones it is recommended to use an additional tie down strap to secure the front of the boat to the front of the vehicle. This helps to prevent the front of the boat from lifting up during transit.

4 – **Load ratings of roof rack system:** It is important for the customer to know and obey the load ratings of their roof rack system as well as the connection points to the vehicle.



Drive safely

It is always the customer's responsibility to drive safely and to adjust their driving and take into account any adverse driving conditions. The customer is strongly advised to drive cautiously and adjust their speed in any conditions which apply additional force to the boat or Vrack such as wind or rain. Customers should also measure and take note of the additional height added to their vehicle by the Vrack and by their boat.

Local laws

It is always the customer's responsibility to know and adhere to all relevant local road safety rules and regulations; including but not limited to laws related to transporting loads projecting beyond the front or rear of the vehicle.

Regular inspections

We recommend a safety inspection of the following items every time the rack is used:

- The bolts connecting the wings to the ridge bar
- The bolts and brackets connecting the Vrack ridge bar to the vehicle roof rack system
- The connection points between the vehicle and the roof rack system
- Check all safety straps and bungee straps for wear points

Minimum maintenance

We recommend the following minimum cleaning maintenance:

- 3-monthly washing with soap and water to all powder coated aluminium surfaces of the Vrack
- Additional washing with soap and water after being exposed to salty air
- Do not leave safety straps or bungee straps exposed to outdoor weather for prolonged periods of time

Product guarantee

The Vrack and its provided components are guaranteed to be defect-free for a period of 12 months from the date of purchase; excluding any wear and tear from normal use. The purchaser must keep a tax invoice or sales receipt for the Vrack, showing the date of purchase. The guarantee is for the Vrack materials only, and does not cover the boat or any other damage caused by a failure of the Vrack. The guarantee is limited to the purchase price of the Vrack.